

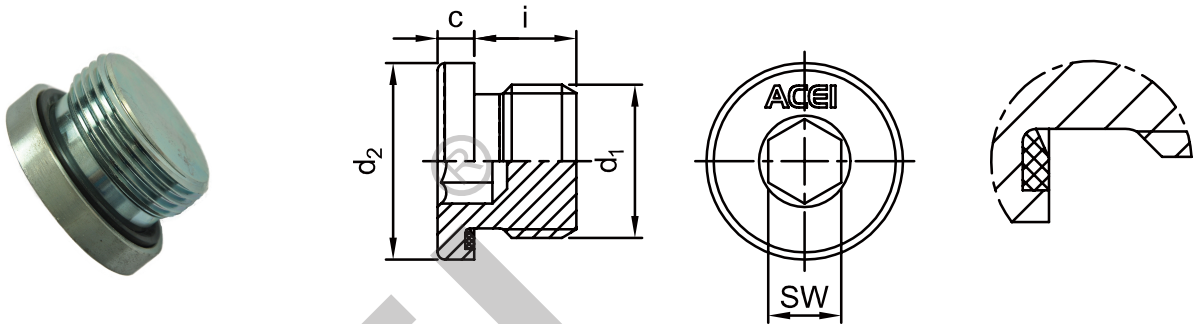
HU08 M/G ED

Blago: VST-M / VST-R

Parker: VSTI M/R-ED Blanking plug for ports

Eaton: 4MN WD / 4BN WD

Brennan: 8555-H / 9522-H



ACEI item.#	d1 DIN 13 / DIN 228	d2 h14	c ±0.3	i ±0.2	SW D12	Anziehdrehmoment Prevailing torque Couple de serrage Nm*	Gewicht Weight Poids kg per 100 St/pcs (7,85kg/dm³)
HU1SPHU08EDM0810	M8X1	12	4	8	4	8	0.50
HU1SPHU08EDM1010	M10X1	14	4	8	5	12	0.68
HU1SPHU08EDM1215	M12X1.5	17	5	12	6	25	1.33
HU1SPHU08EDM1415	M14X1.5	19	5	12	6	35	1.90
HU1SPHU08EDM1615	M16X1.5	21.9	5	12	8	50	2.20
HU1SPHU08EDM1815	M18X1.5	23.9	5	12	8	60	3.13
HU1SPHU08EDM2015	M20X1.5	25.9	5	14	10	70	4.02
HU1SPHU08EDM2215	M22X1.5	27	5	14	10	80	5.00
HU1SPHU08EDM2415	M24X1.5	29.9	5	14	12	95	5.80
HU1SPHU08EDM2615	M26X1.5	31.9	5	16	12	120	7.52
HU1SPHU08EDM2720	M27X2	32	5	16	12	135	7.65
HU1SPHU08EDM3020	M30X2	36.9	6.5	16	17	190	10.80
HU1SPHU08EDM3320	M33X2	39.9	6.5	16	17	225	12.60
HU1SPHU08EDM4220	M42X2	49.9	6.5	16	22	360	20.00
HU1SPHU08EDM4820	M48X2	55	6.5	16	24	400	25.00
HU1SPHU08EDM6020	G 1/8" A	14	4	8	5	12	0.68
HU1SPHU08EDG0125	G 1/4" A	18.9	5	12	6	30	1.82
HU1SPHU08EDG0250	G 3/8" A	22	5	12	8	55	2.63
HU1SPHU08EDG0375	G 1/2" A	26.9	5	14	10	80	4.43
HU1SPHU08EDG0500	G 3/4" A	32	5	16	12	135	7.65
HU1SPHU08EDG0750	G 1" A	39.9	6.5	16	17	225	12.60
HU1SPHU08EDG1000	G 1 1/4" A	49.9	6.5	16	22	360	20.00
HU1SPHU08EDG1250	G 1 1/2" A	55	6.5	16	24	400	25.00
HU1SPHU08EDG1500	G 1 1/4" A	49.9	8	20	22	360	26.00
HU1SPHU08EDG2000	G 1 1/2" A	55	8	22	24	400	33.00