

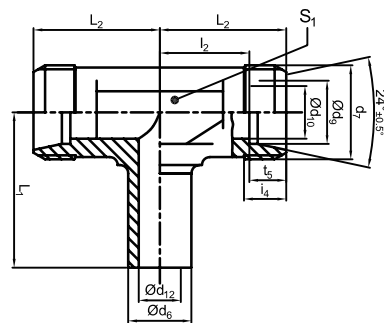
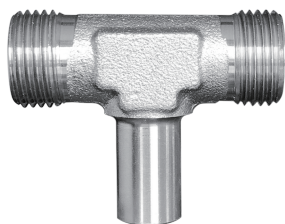
**ISO8434-1-1997-SWBT**

Blago: TEL / TES

Parker: EVT Standpipe branch tee -EO 24° cone end/EO stand pipe adjustable

Eaton: BC-metric male/fem/male 24° L.T. / BD-metric male/fem/male 24° H.T.

Brennan: ETV MBT-MBT-FMSP T



ACEI item.#	d7	d6 <sup>1)</sup>	d10	d12 max.	B11 <sup>3)</sup>	d9 <sup>+0.1</sup> <sub>0</sub>	L1 ±0.5	L2 ±0.3	i4 min.	S1	l2	ts
HU3TEI8434-1SWBTL06	M12X1.5	6	4	3.5	6		26	19	7	12	12	7
HU3TEI8434-1SWBTL08	M14X1.5	8	6	5.5	8		27.5	21	7	12	14	7
HU3TEI8434-1SWBTL10	M16X1.5	10	8	7.5	10		29	22	8	14	15	7
HU3TEI8434-1SWBTL12	M18X1.5	12	10	9.5	12		29.5	24	8	17	17	7
HU3TEI8434-1SWBTL15	M22X1.5	15	12	11.5	15		32.5	28	9	19	21	7
HU3TEI8434-1SWBTL18	M26X1.5	18	15	14.5	18		35.5	31	9	24	23.5	7.5
HU3TEI8434-1SWBTL22	M30X2.0	22	19	17	22		38.5	35	10	27	27.5	7.5
HU3TEI8434-1SWBTL28	M35X2.0	28	24	23	28		41.5	38	10	36	30.5	7.5
HU3TEI8434-1SWBTL35	M45X2.0	35	30	29		35.3	51	45	12	41	34.5	10.5
HU3TEI8434-1SWBTL42	M52X2.0	42	36	35.5		42.3	56	51	12	50	40	11
HU3TEI8434-1SWBTS06	M14X1.5	6	4	3.5	6		27	23	9	12	16	7
HU3TEI8434-1SWBTS08	M16X1.5	8	5	4.5	8		27.5	24	9	14	17	7
HU3TEI8434-1SWBTS10	M18X1.5	10	7	6.5	10		30	25	9	17	17.5	7.5
HU3TEI8434-1SWBTS12	M20X1.5	12	8	7.5	12		31	29	9	17	21.5	7.5
HU3TEI8434-1SWBTS16	M24X1.5	16	12	11.5	16		36.5	33	11	24	24.5	8.5
HU3TEI8434-1SWBTS20	M30X2.0	20	16	15.5	20		44.5	37	12	27	26.5	10.5
HU3TEI8434-1SWBTS25	M36X2.0	25	20	18	25		50	42	14	36	30	12
HU3TEI8434-1SWBTS30	M42X2.0	30	25	23.5	30		55	49	16	41	35.5	13.5
HU3TEI8434-1SWBTS38	M52X2.0	38	32	29.5		38.3	63	57	18	50	41	16