

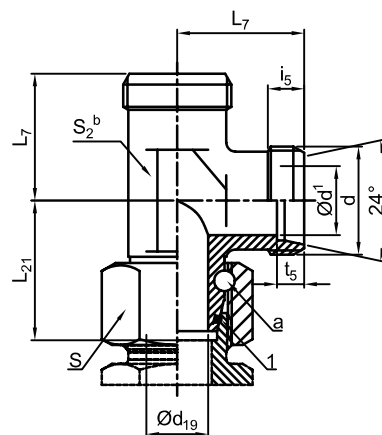
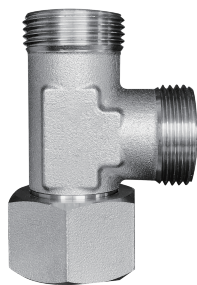
**ISO8434-1-2008-SWORT**

Blago: LEDL / LEDS

Parker: EL Swivel nut run tee - EO 24° cone end / EO 24° DKO swivel

Eaton: CC-metric male/male/fem 24° L.T. / CD-metric male/male/fem 24° H.T.

Brennan: ELVD-MBT-FMS-MBT Tee



ACEI item.#	Thread d	t <sub>5</sub> +0.3 0	d <sub>1</sub> ref.	d <sub>19</sub> min.	L <sub>21</sub> ±0.5	L <sub>7</sub> ±0.3	i <sub>5</sub> min.	S <sub>2</sub> Forged connector min.	S
HU3TEI8434-1SWORTL06	M12X1.5	7	4	2.5	26	19	7	12	14
HU3TEI8434-1SWORTL08	M14X1.5	7	6	4	27.5	21	7	12	17
HU3TEI8434-1SWORTL10	M16X1.5	7	8	6	29	22	8	14	19
HU3TEI8434-1SWORTL12	M18X1.5	7	10	8	29.5	24	8	17	22
HU3TEI8434-1SWORTL15	M22X1.5	7	12	10	32.5	28	9	19	27
HU3TEI8434-1SWORTL18	M26X1.5	7.5	15	13	35.5	31	9	24	32
HU3TEI8434-1SWORTL22	M30X2.0	7.5	19	17	38.5	35	10	27	36
HU3TEI8434-1SWORTL28	M36X2.0	7.5	24	22	41.5	38	10	36	41 <sup>a</sup>
HU3TEI8434-1SWORTL35	M45X2.0	10.5	30	28	51	45	12	41	50
HU3TEI8434-1SWORTL42	M52X2.0	11	36	34	56	51	12	50	60
HU3TEI8434-1SWORTS06	M14X1.5	7	4	2.5	27	23	9	12	17
HU3TEI8434-1SWORTS08	M16X1.5	7	5	4	27.5	24	9	14	19
HU3TEI8434-1SWORTS10	M18X1.5	7.5	7	6	30	25	9	17	22
HU3TEI8434-1SWORTS12	M20X1.5	7.5	8	8	31	29	9	17	24
HU3TEI8434-1SWORTS16	M24X1.5	8.5	12	11	36.5	33	11	24	30
HU3TEI8434-1SWORTS20	M30X2.0	10.5	16	14	44.5	37	12	27	36
HU3TEI8434-1SWORTS25	M36X2.0	12	20	18	50	42	14	36	46
HU3TEI8434-1SWORTS30	M42X2.0	13.5	25	23	55	49	16	41	50
HU3TEI8434-1SWORTS38	M52X2.0	16	32	30	63	57	18	50	60

KEY

1 O-ring

a Method of swivel nut attachment is at the option of the manufacturer.

b Width across flats.